



21. IPVK



22. IPDV



23. IPCC



24. IP5000



VERTICAL TRANSPORT - MISC.

- IPVK** 21. Drums
- IPDV** 22. Drums
- IPCC** 23. Concrete, pipe sections and wells
- IP5000** 24. connecting link clamp tot hoist hook



VERTICAL TRANSPORT OF DRUMS

The IPVK drum clamp is for vertical lift, move and transfer of 215 to 225 litre drums with steel tops (50-55 gallon). Automatically locks on drum. Can be used alone or in pairs.

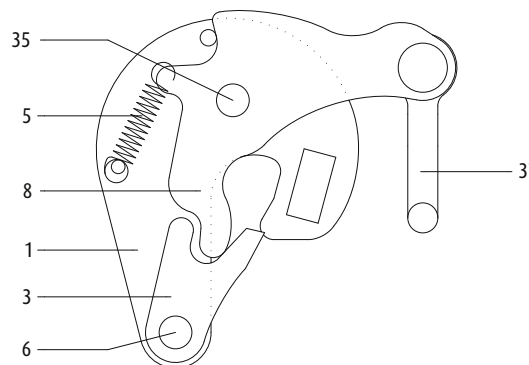
Fitted with shackle, therefore ready for immediate use.

For correct use of the clamp, please consult fig. 2 & 3.



IPVK

fig. 1



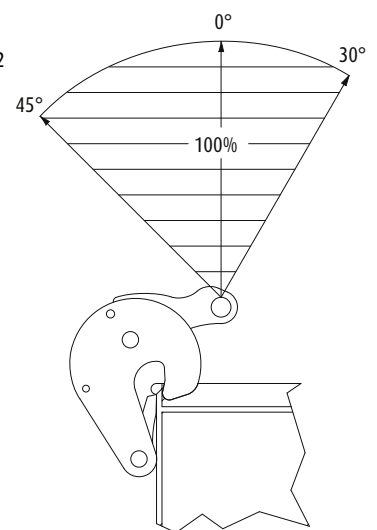
Spare parts for IPVK lifting clamps:

- 1. body complete
- 3. camsegment complete
- 4. clamping arm complete
- 5. spring complete
- 6. camsegment shaft complete
- 8. clamping arm complete
- 35. body shaft complete

Order no.

- 1041
- 1234
- 0190
- 1063
- 1046
- 1340
- 0088
- 1363

fig. 2



Dimensions in mm

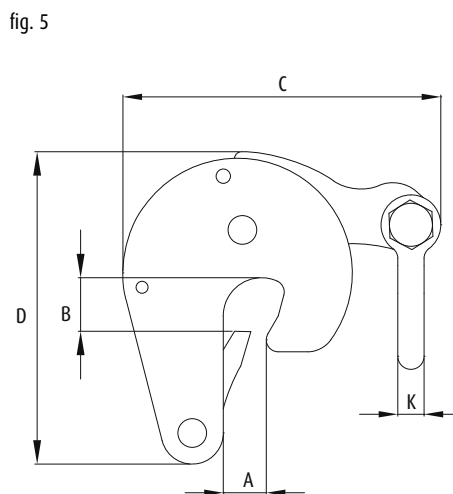
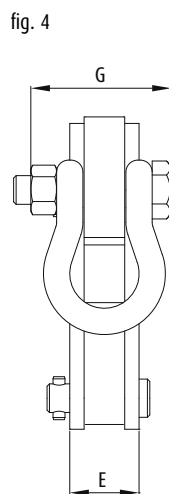
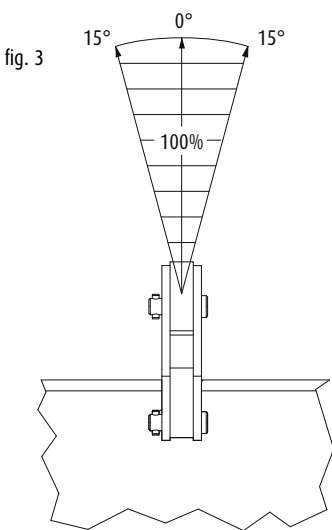
Model	Stock No.	WLL Each (t.)	Weight Each (kg.)	Jaw A	B	C	D	E	F	G	H	J	K
0,5 IPVK	0116	0,5	1,6	17	26	26	132	29	-	51	-	-	11

* Design Factor based on EN 13155, and ASME B30.20.

Tlf./Phone +47 63 87 10 80 www.transportutstyr.no



- Available in capacity of 0.5 metric tons.
- Jaw opening available: 17mm | .63”.
- Welded alloy steel body for strength and smaller size. Forged alloy components, where required.
- Individually Proof Tested to 2 times the Working Load Limit with certification.
- Company name (CrosbyIP), logo, Working Load Limit and jaw opening permanently stamped on body.
- Each product is individually serialized, with the serial number and Proof Load test date stamped on body. Serial number is included on the test certificate with maintenance and warranty logbook.
- Maintenance replacement parts are available.
- Manufactured by a ISO 9001 facility.
- IPVK is RFID EQUIPPED.



Dimensions in inches

Model	Stock No.	WLL Each (t.)	Weight Each (lbs.)	Jaw A	B	C	D	E	F	G	H	J	K
0.5 IPVK	2700116	0.5	3.53	.63	1.02	1.02	5.20	1.14	-	2.01	-	-	.43

* Design Factor based on EN 13155, and ASME B30.20.



IPDV

VERTICAL TRANSPORT OF DRUMS

The IPDV drum clamp is designed to lift, move and transfer 215 to 225 litre drums with steel tops (50-55 gallon). Allows drum to remain in an upright position during the lift.

The IPDV may be used alone or several clamps may be used at one time under a spreader beam, for example in the process of loading and unloading of containers and cargo holds.

For correct use of the clamp, please consult fig. 2.

fig. 1

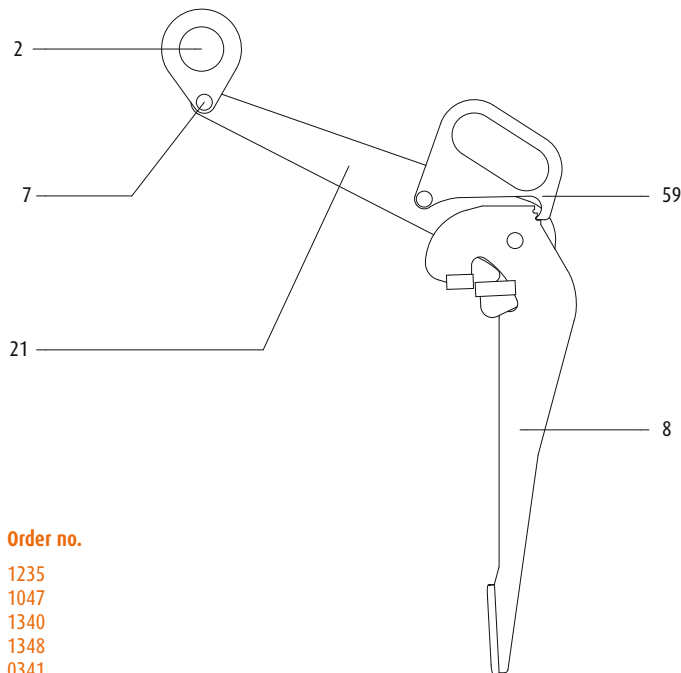
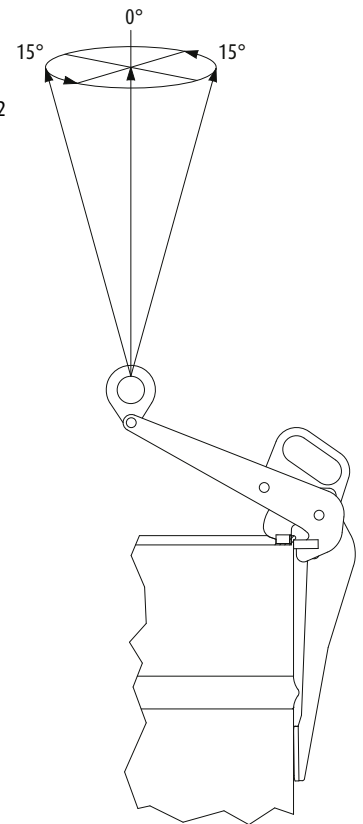


fig. 2



Spare parts for IPDV lifting clamps:

- 2. hoisting eye complete
- 7. hoisting eye shaft complete
- 8. lower part body complete
- 21. upper part body complete
- 59. grip complete

Order no.

- 1235
- 1047
- 1340
- 1348
- 0341

Dimensions in mm

Model	Art x Stock No.	WLL Each (t.)	Weight Each (kg.)	Jaw A	B	C	D	E	F	G	H	J	K
0,5 IPDV	0118	0,5	7,1	300	375	290	150	50	12	-	-	-	-

* Design Factor based on EN 13155, and ASME B30.20.

Tlf./Phone +47 63 87 10 80 www.transportutstyr.no



- Available in capacity of 0.5 metric tons.
- Jaw opening available: 300mm | 11.75".
- Welded alloy steel body for strength and smaller size. Forged alloy components, where required.
- Individually Proof Tested to 2 times the Working Load Limit with certification.
- Company name (CrosbyIP), logo, Working Load Limit and jaw opening permanently stamped on body.
- Each product is individually serialized, with the serial number and Proof Load test date stamped on body. Serial number is included on the test certificate with maintenance and warranty logbook.
- Maintenance replacement parts are available.
- Manufactured by a ISO 9001 facility.
- IPDV is RFID EQUIPPED.

fig. 3

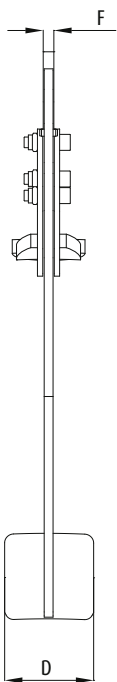
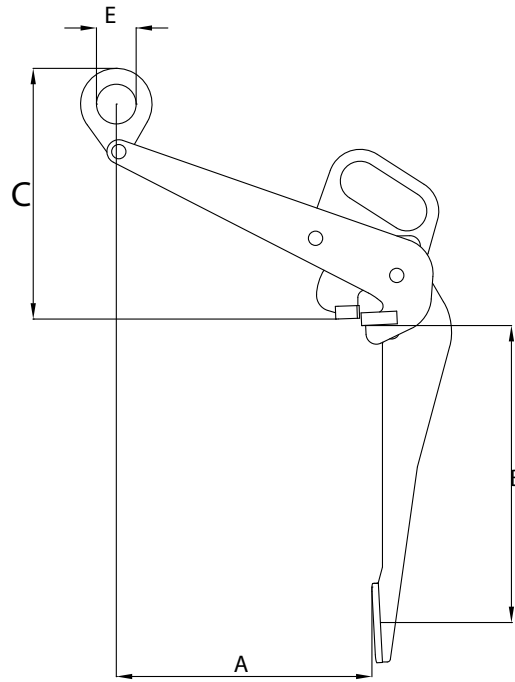


fig. 4



Dimensions in inches

Model	Art x Stock No.	WLL Each (t.)	Weight Each (lbs.)	Jaw A	B	C	D	E	F	G	H	J	K
0.5 IPDV	2700118	0.5	15.7	11.75	14.76	11.42	5.91	1.97	.47	-	-	-	-

* Design Factor based on EN 13155, and ASME B30.20.



Tlf./Phone +47 63 87 10 80 www.transportutstyr.no



IPCC

FOR PIPE SECTIONS

The IPCC is suitable for the vertical lifting and transfer of concrete pipe sections and wells. Very easy application and removal of the clamp thanks to the built-in carrying-grips.

Normally used in combination with 7mm chain (not supplied).

For correct use of the clamp, please consult fig. 2 & 3.

To be used exclusively per pair or per three clamps.

- Available in capacity of 1 metric tons.
- Jaw opening available: 40 to 140mm | 1.56" - 5.50".
- Welded alloy steel body for strength and smaller size. Forged alloy components, where required.
- Individually Proof Tested to 2 times the Working Load Limit with certification.
- Company name (CrosbyIP), logo, Working Load Limit and jaw opening permanently stamped on body.
- Each product is individually serialized, with the serial number and Proof Load test date stamped on body. Serial number is included on the test certificate with maintenance and warranty logbook.
- Maintenance and replacement parts are available.
- Manufactured by a ISO 9001 facility.
- All sizes are RFID EQUIPPED.

fig. 2

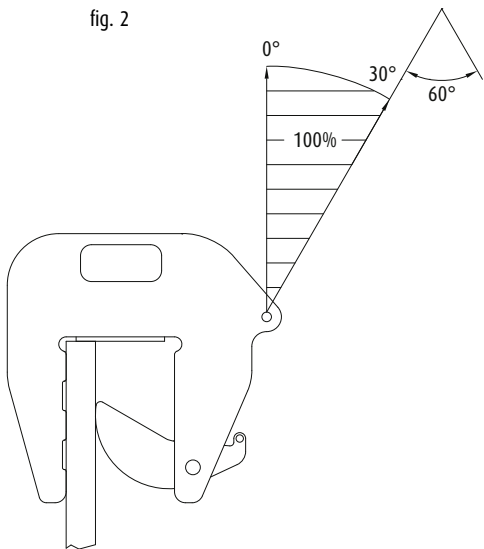


fig. 3

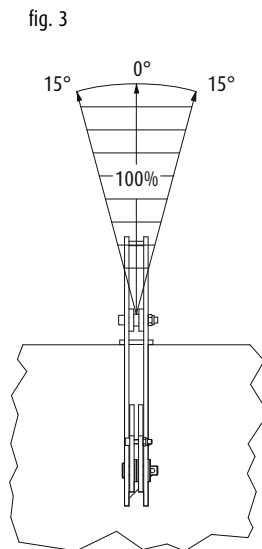


fig. 4

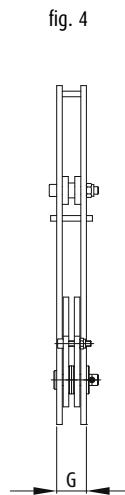
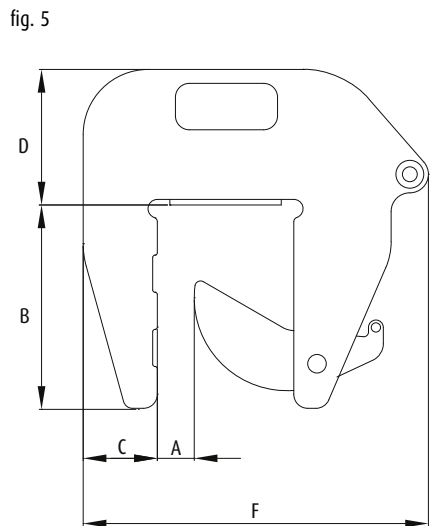


fig. 5



Dimensions in mm

Model	Stock No.	WLL Per Pair (t.)	Weight Per Pair (kg.)	Jaw A	B	C	D	E	F	G	H	J	K
1 IPCC	0037	1,0	18,4	40-140	225	80	146	-	372	37	-	-	-

* Design Factor based on EN 13155, and ASME B30.20.

Dimensions in inches

Model	Stock No.	WLL Per Pair ***(t.)	Weight Per Pair (lbs.)	Jaw A	B	C	D	E	F	G	H	J	K
1 IPCC	2700037	1.0	40.6	1.56 - 5.50	8.86	3.15	5.75	-	14.65	1.46	-	-	-

* Design Factor based on EN 13155, and ASME B30.20.

Tlf./Phone +47 63 87 10 80 www.transportutstyr.no



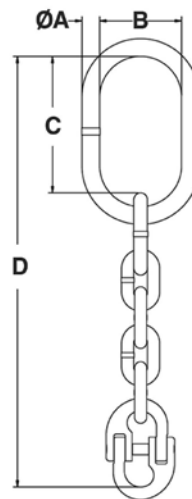
IP5000

CONNECTING LINK CLAMP TO HOIST HOOK

The IP5000 Stinger Assembly is designed to be used as a connecting link between the clamp and the hoist hook.

NOTE: Not intended to be used as a chain sling.

- Provides easy attachment of selected CrosbyIP clamp to hoist hook.
- Available in three sizes in the IP10 and IPU10 with capacities from 0.5 to 12 metric tons.
- Assembly consists of welded alloy master link, Grade 80 chain and A-1337 Lok-A-Loy for attachment to the clamp hoisting eye.
- Individually Proof Tested to 2.5 times the Working Load Limit of Grade 80 chain with certification.
- Company name or logo and frame number permanently stamped on link.
- Locking system provides for simple assembly - no special tools needed.
- Finish - Red Paint.
- Manufactured by an ISO 9001 facility.



Dimensions in mm

Frame size	Chain size	CrosbyIP clamp sizes (t)	Stock No.	Weight Each (kg.)	A	B	C	D
1	8	0,5 - 1	2701695	0,95	13	59,9	100	315
2	13	2 - 4,5	2701704	3,4	22,1	89,9	144	484
3	22	6 - 12	2701713	14,7	36,1	140	234	820

Dimensions in inches

Frame size	Chain size	CrosbyIP clamp sizes (t)	Stock No.	Weight Each (lbs.)	A	B	C	D
1	5/16	0.5 - 1	2701695	2.10	.51	2.36	3.94	12.41
2	1/2	2 - 4.5	2701704	7.50	.87	3.54	5.67	19.06
3	7/8	6 - 12	2701713	32.4	1.42	5.51	9.22	32.27

* The working load of the assembly is based on working load limit of the selected clamp.

**Ultimate load is 5 times the Working Load Limit.