

See page 2.4 for end fittings

TELESCOPIC SHORING POLES, round section, adjustable



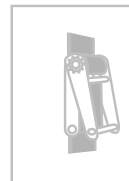
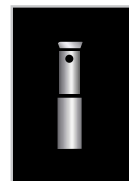
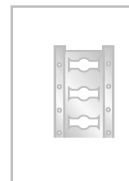
Art.nr.	Suitable for track-to-track	Diam. in mm	Min/Max Length	Material	Load Capacity*	Weight
1808AL	2250 - 2650 mm	Ø 45	2320-2665	Aluminium	ca. 375 kg	5 kg
1809AL	2750 - 3150 mm	Ø 45	2825-3160	Aluminium	ca. 350 kg	6 kg
1811	2000 - 2400 mm	Ø 45	2085-2485	Steel & Zinc plated	ca. 450 kg	9 ⁵ kg
1811EL	2360 - 2760 mm	Ø 45	2445-2845	Steel & Zinc plated	ca. 450 kg	10 kg
1811304	2000 - 2400 mm	Ø 45	2085-2485	Stainless Steel 304	ca. 450 kg	9 ⁵ kg
1811EL304	2360 - 2760 mm	Ø 45	2445-2845	Stainless Steel 304	ca. 450 kg	10 kg

TELESCOPIC SHORING POLES, square, adjustable



Art.nr.	Suitable for track-to-track	Main Tube in mm	Min/Max Length	Material	Load Capacity*	Weight
1812	2250 - 2650 mm	∇ 40	2345-2680	Steel & Zinc plated	ca. 400 kg	8 ⁵ kg
1812HD	2250 - 2650 mm	∇ 50	2345-2680	Steel & Zinc plated	ca. 675 kg	10 ¹ kg

*Load Capacity assumes weight evenly distributed





See page 2.4 for end fittings

TELESCOPIC SHORING POLES



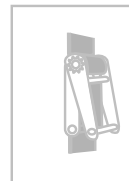
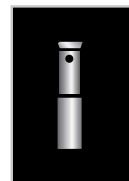
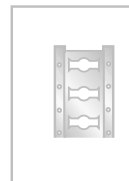
Art.nr.	Suitable for track-to-track	Diam. in mm	Max Length	Material	Load Capacity*	Gewicht
1813	2000 - 2100 mm	Ø 42	2135 mm	Steel & Zinc plated	400 kg	7 ⁵ kg
1814	2100 - 2200 mm	Ø 42	2235 mm	Steel & Zinc plated	390 kg	7 ⁵ kg
1815	2200 - 2300 mm	Ø 42	2335 mm	Steel & Zinc plated	390 kg	7 ⁵ kg
1816	2300 - 2400 mm	Ø 42	2435 mm	Steel & Zinc plated	380 kg	8 kg
1818	2380 - 2480 mm	Ø 42	2505 mm	Steel & Zinc plated	380 kg	8 kg
1818EL	2460 - 2560 mm	Ø 42	2590 mm	Steel & Zinc plated	375 kg	8 kg

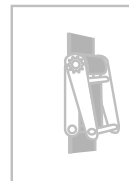
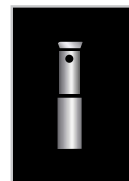
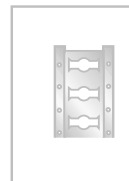
TELESCOPIC SHORTENABLE SHORING POLES, with loose end plug, customer cuts to required length



Art.nr.	Suitable for track-to-track	Diam. mm	Max Length	Material	Load Capacity*	Weight
1818ELSPEC	max 2560 mm	Ø 42	2590 mm	Steel & Zinc plated	± 375 kg	8 kg
1819	max 3100 mm	Ø 42	3150 mm	Steel & Zinc plated	± 350 kg	10 kg
2818	max 2500 mm	Ø 35	2568 mm	Steel & Zinc plated	± 450 kg	5 ⁵ kg
2819	max 2950 mm	Ø 35	3000 mm	Steel & Zinc plated	± 450 kg	6 kg

*Load Capacity assumes weight evenly distributed





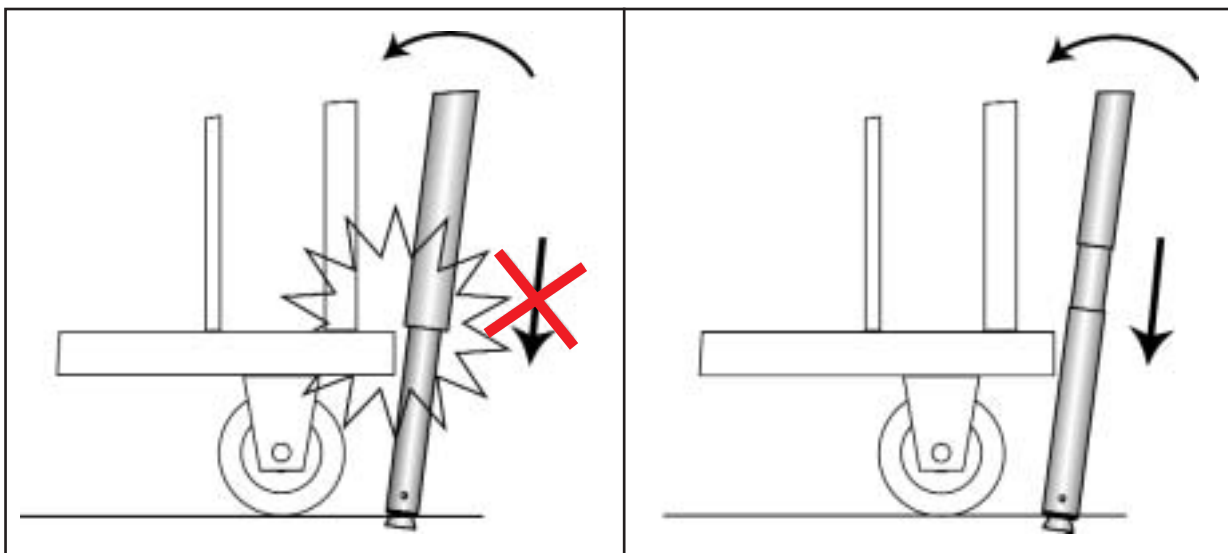
SHORING POLE FOR ROLL-CONTAINERS,
shortenable with loose plug, customer cuts to required length

See page 2.4 for end fittings

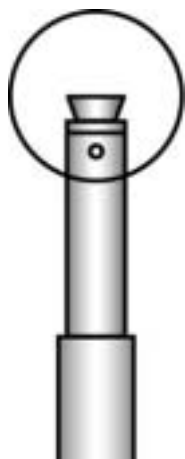
Art.nr.	Suitable for track-to-track	Diam. in mm	Max Length	Material	Load Capacity*	Gewicht
1810	max 2950 mm	Ø 42	3000 mm	Steel & Zinc plated	± 300 kg	10 kg
2810	max 3200 mm	Ø 35	3300 mm	Steel & Zinc plated	± 450 kg	6 ⁵ kg

*Load capacity assumes weight evenly distributed.

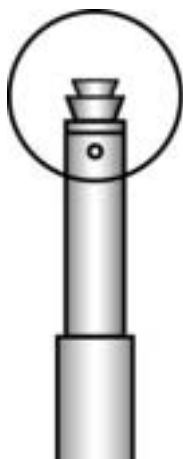
securing the roll container:



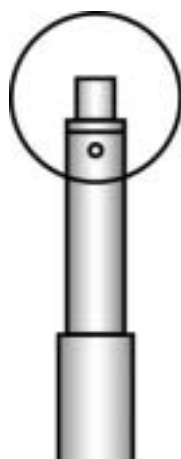
END FITTINGS, HAND GRIPS & 'DOG LEAD' SYSTEM



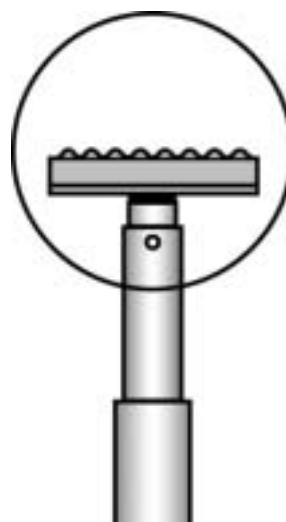
Conical End Plug
20 mm



20/25mm Dual Purpose End Plug



Cylindrical Plug

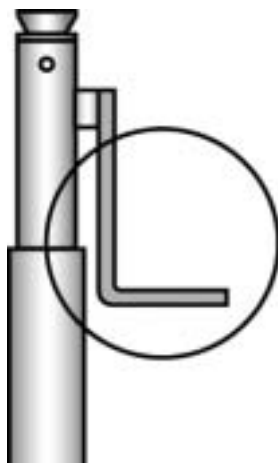


Kargo Keeper Foot

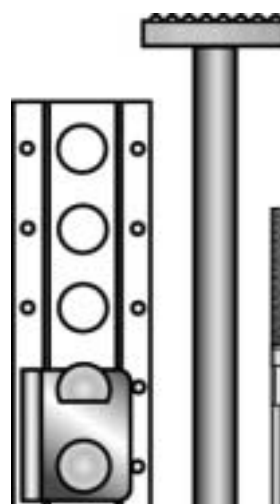
Note: Shoring poles will be fitted with a standard 25mm dia end plug unless otherwise specified from the above selection.



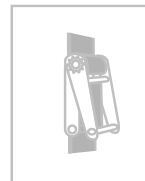
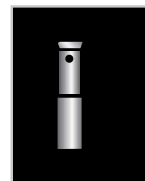
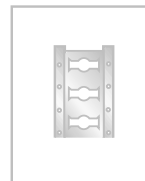
U-Handgrip



L-Handgrip



Shoring Pole 'Dog Lead' System – Horizontal Mounting & not as shown. Please ask for further information.

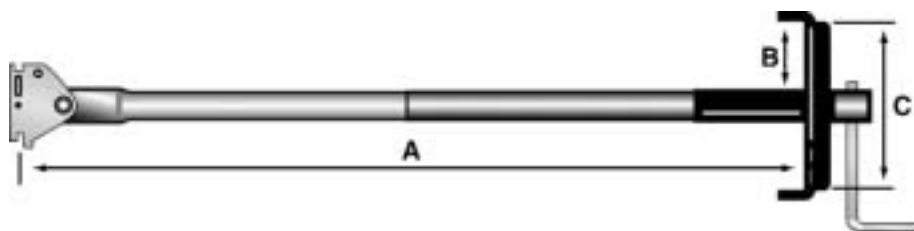




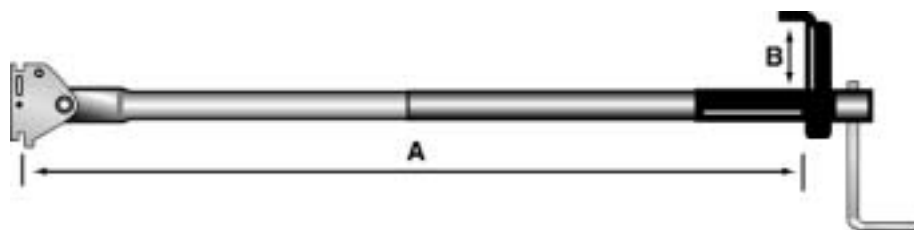
Cart-Lock for quick and easy securing of roll pallets. Compatible with Load-Lok tracks 3009.

CARTLOCK

FE-809021

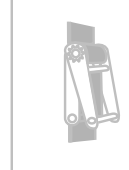
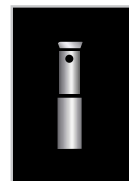
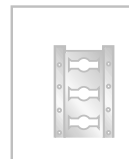


FE-809041



Art.nr.	Dimension in mm				Load Capacity*	Material tube/clamp	Weight
	A min	A max	B	C			
FE 809021	610	838	46	120	540 kg	painting steel/plastic coated	1 ⁸ kg
FE 809041	610	838	46	-	540 kg	painting steel/plastic coated	1 ⁸ kg

*Load capacity assumes weight evenly distributed.







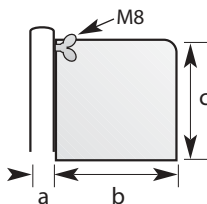
The Load-Lok Cargo Plank is suited for use in tilt trailers and some curtain siders where side boards are fitted. Cargo Plank clips easily to the vehicle side boards and offers quick and efficient cargo shoring where none previously was possible. For light loads the 1852 Plankcup can offer an economic solution to cargo shoring.

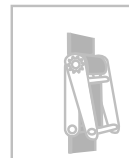
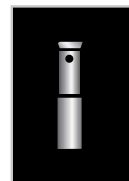
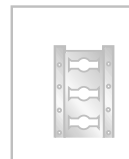


'Economy' plankcup 1852

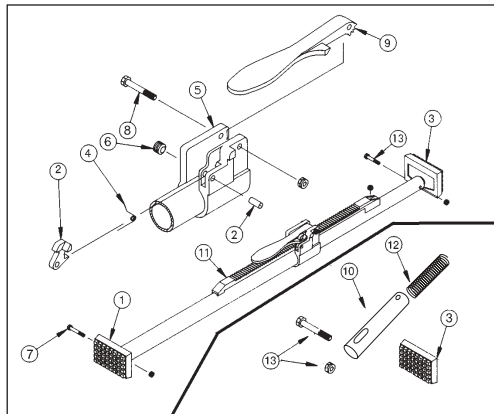
CARGO PLANK

1850		adjustable		
1851		fixed length		
Art.nr.	Plank dimensions	Material	Working Length	Weight
1850	125 x 30 mm	Aluminium	2400-2700 mm	9 kg
1851	125 x 30 mm	Aluminium	Finish length made to measure	± 9 kg

Art.nr.	Dimension (mm)	Material	Weight	
1852	30 120 110	Steel & Zinc plated	0,3 kg	



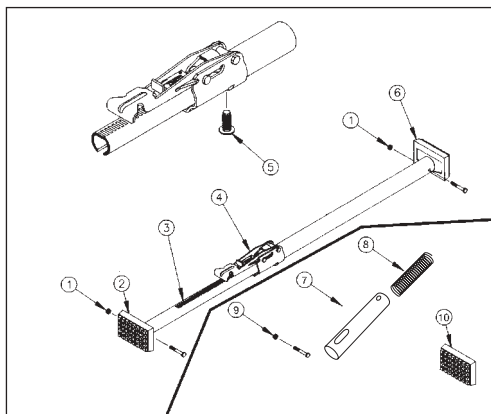
KARGO KEEPER, spares



No.	Part no.	Description
1	186701	Large foot
2	186702	Release trigger
3	186703	Small foot (also WS)
4	186704	Spring for housing
5	186705	Housing
5	186705HD	Housing for HD version
6	186706	Housing mounting screw
7	186707	Nut + bolt for foot
8	186708	Nut + bolt for handle
9	186709	Handle
10	186710	Aluminium insert for WS
11	186711	Rack
12	186712	Spring for WS
13	186713	9+5+11 mounted

WS = with spring

CARGO-BAR, spares (available on request)



No.	Part number.	Description
1	FE8040-6	Nut + bolt for foot
2	FE8040-24	Small foot
3	FE8040-8	Extension tube
4	FE8040-76	Complete housingt
5	FE8040-71	Housing mounting screw
6	186701	Large foot
7	FE8040-10	Aluminium insert for WS
8	FE8040-12	Spring for WS
9	FE8040-13	Nut + bolt for WS
10	186703	Small foot for WS

WS = with spring

