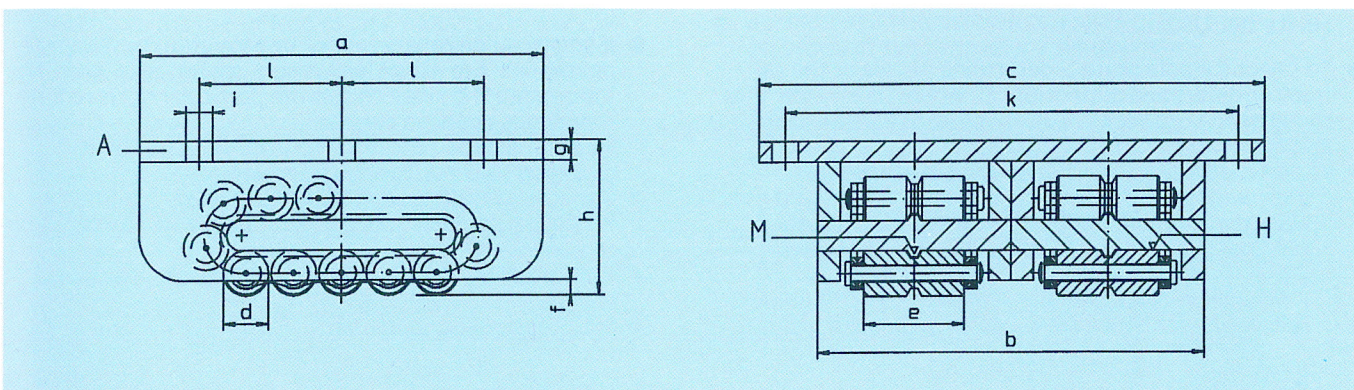
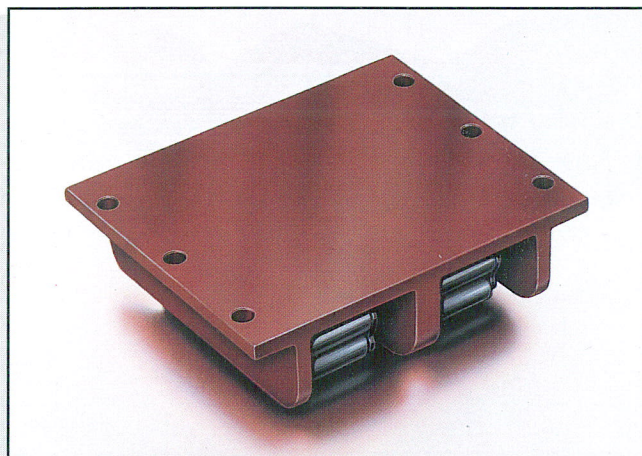


Roller Skate Express – The Super-Robusts

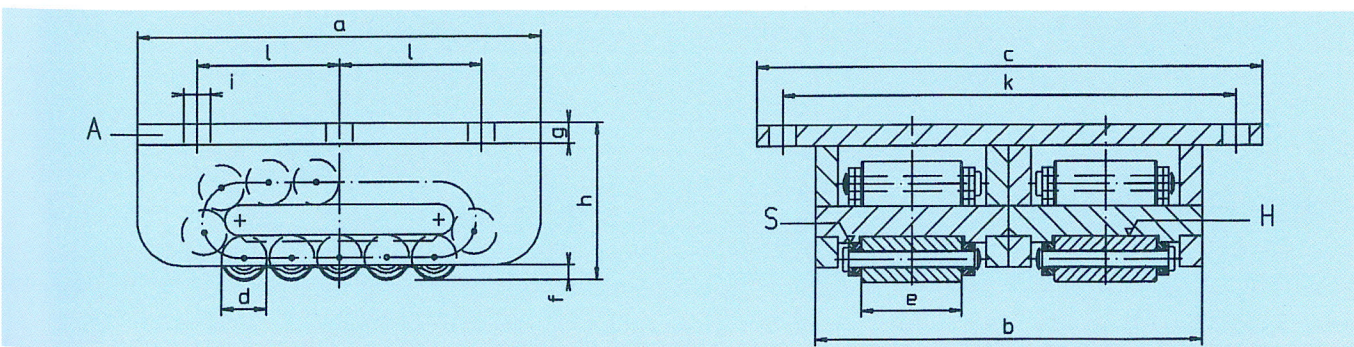
Range of Application:

- For longer distances and repeat journeys with permanent loads
- On suitable tracks like crane rails or steel beams
- For extreme load bearing points
- Suitable for limited space
- Often used for bridge construction or for mobile equipment to support hydraulic valves
- Use as a conveyor, when the load is moving and the Roller Skates are fixed.
- Triple Roller Skates or Multiple Roller Skates on request
- For further information please see pages 8–10



Mod. ZAM-H (H=hardened and machined centre plate), ZAM-H-50CrV4 (roller material 50CrV4)

Mod.	a	b	c	∅ d	e	f	g	h	∅ i	k	l	Rollers under stress	Number of Rollers	Maximum load kN	weight kg
I	210	200	280	18	51	6	13	76	14	245	75	2 x 5	2 x 15	250	16,0
II	220	226	305	24	60	10	14	87	14	270	80	2 x 4	2 x 13	340	22,0
III	270	260	340	30	68	10	14	104	18	305	95	2 x 4	2 x 13	660	35,0
IIIv	320	280	360	30	68	10	18	115	18	325	120	2 x 6	2 x 17	840	55,5
IV	380	336	440	42	76	19	19	145	22	390	150	2 x 4	2 x 13	1060	92,5
V	530	364	480	50	86	19	19	165	22	430	210	2 x 6	2 x 17	1380	168,0
Vv	600	410	560	50	100	20	28	190	26	490	240	2 x 9	2 x 23	1820	294,0
VI	900	410	590	50	100	20	38	200	33	500	360	2 x 13	2 x 31	3300	432,0



Mod. ZAS-H (H=hardened and machined centre plate), ZAS-H-50CrV4 (roller material 50CrV4)

Mod.	a	b	c	∅ d	e	f	g	h	∅ i	k	l	Rollers under stress	Number of Rollers	Maximum load kN	weight kg
III	270	260	340	30	68	10	14	104	18	305	95	2 x 4	2 x 13	800	36,2
IIIv	320	280	360	30	68	10	18	115	18	325	120	2 x 6	2 x 17	1000	57,5
IV	380	336	440	42	76	19	19	145	22	390	150	2 x 4	2 x 13	1300	96,0
V	530	364	480	50	86	19	19	165	22	430	210	2 x 6	2 x 17	1700	175,0
Vv	600	410	560	50	100	20	28	190	26	490	240	2 x 9	2 x 23	2200	305,0
VI	900	410	590	50	100	20	38	200	33	500	360	2 x 13	2 x 31	4000	485,0

All Dimensions in mm.